

Product Overview



Print



[Click to Enlarge](#)

Product Type :	AC Motors
Product Family:	5-5/8" Diameter (48 Frame)
Stock Number:	7FD1056
Reference:	Catalog Page: 070
Description:	MODEL-RFHP-48FR
Features:	Product feature information temporarily unavailable
Applications:	Product application information temporarily unavailable
List Price:	\$378

The image shown is representative only and the actual product may differ from the image shown

TECHNICAL SPECIFICATIONS NOTES DRAWINGS

Horse Power:	1/2
Amperes:	2.2
Frequency:	60
RPM:	1075/3 SPD
Voltage:	277
Motor Type:	UF
Frame Size:	48Y
Nema Suffix:	Y
Service Factor:	1.0
Phase:	1
Enclosure:	OPEN
Bearings:	SLEEVE
Ambient Temperature:	50
Insulation Class:	B
Rotation:	REVERSIBLE
Protector:	AUTOMATIC
Agency Approvals:	ULCSA
Capacitor Rating:	10MFD/370VAC
Duty Cycle:	AIR OVER

GENERAL INFORMATION:

SHAFT RUNOUT: .001 T.I.R. PER INCH LENGTH OF EXTENSION.

END PLAY: .010 TO .063

BEARINGS: SLEEVE

MOUNTING POSITION: HORIZONTAL

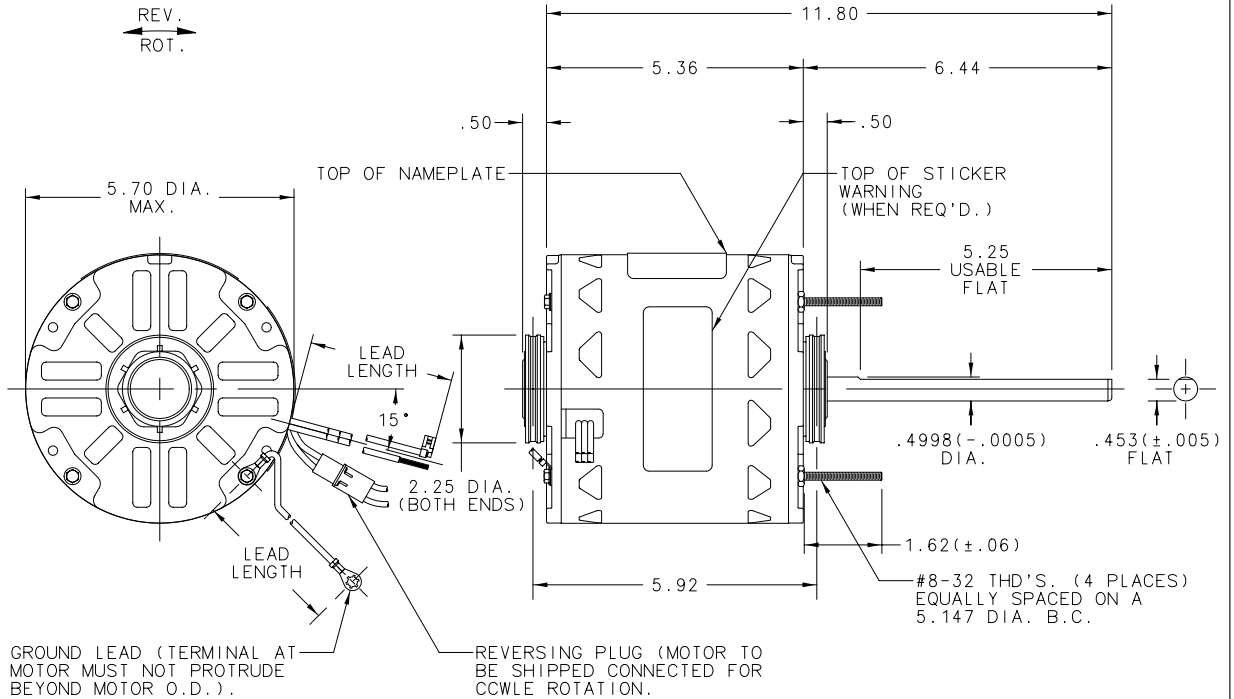
ELECTRICAL DATA:

OVERLOAD PROTECTOR: AUTOMATIC RESET (T.I. 7AM 036)

LEADS: NO. 18 GA., .06 THK. PVC 105°C INSUL.

REVERSING LEADS: NO. 18 GA., .03 THK. 125°C INSUL.

GROUND LEAD: NO. 18 GA., .03 THK., (GREEN) INSUL.



NAMEPLATE DATA:	EXTERNAL CONNECTION DIAGRAM
MODEL NO.: F48A31A01 CUST. P/N: 7FD1056 HP: 1/2 ROT: REVERSIBLE RPM: 1075/3 SPD. TYPE: UF FRAME: 48Y VOLTS: 277 PH: 1 AMPS: 2.2 (3.2 MAX.) HZ: 60 INS: B AMB: 50 °C DUTY: AIR OVER CAP.: 10 MFD/370 V ENCL: OPEN CSA LOGO UL LOGO THERMALLY PROTECTED	
614131-111	

NOTE:
- SNAP RINGS 615035 (4 REQ'D.) TO BE PACKED WITH EACH MOTOR

COLOR	LENGTH	TERMINAL OR STRIP LENGTH
GREEN (GRD)	12/13	#10 EYELET
BLACK/WHITE	3/5	REVERSING PLUG
BROWN	26/28	.25 FLAG
BROWN/WHITE	26/28	.25 FLAG
YELLOW	26/28	.50 SKIN
BLACK	26/28	.50 SKIN
BLUE	26/28	.50 SKIN
RED	26/28	.50 SKIN

ENCLOSURE	
MAIN FR.-OLE	OPEN
END FR.-OLE	OPEN
MAIN FR.-LE	OPEN
END FR.-LE	OPEN

PERFORMANCE CURVE NO.	TORQUE @1075 RPM (25 °C)	APPROVED SAMPLE	UL COMPONENT		CSA	
			FILE#	GUIDE#	FILE#	GUIDE#
C23313	33.3 OZ. FT.	EX11394	E46412	PRGY2	LR43341	260-0-0

DATE	CHANGED FROM	APPROVED ENG DRF	NOTICE	DATE	CHANGED FROM	APPROVED ENG DRF	NOTICE
J				B	09/25/97	REMOVED PLUGGED OILERS REDRAWN TO NEW FORMAT	JRS JAR 97AR0505
K				C	05/11/99	CHANGED TO SMALL DUST CAP	JRS JAR 99AR0223
L				D	04/10/00	CHG'D DIM'S - 5.92 WAS 5.80 3.38 WAS 3.24/11.80 WAS 11.88	JPM DMJ 0041853
M				E			
N				F			
P				G			
R				H			

A.O. SMITH PROVIDES TECHNICAL ASSISTANCE TO OUR CUSTOMERS IN SEVERAL AREAS. SINCE A.O. SMITH DOES NOT RECEIVE ALL DATA CONCERNING THE USE AND APPLICATION OF THE MOTOR, THE SUITABILITY OF THE MOTOR FOR THE APPLICATION MUST BE DETERMINED BY THE CUSTOMER.

DIMENSIONS WITHOUT TOLERANCES ARE FOR REF. ONLY

CONFIDENTIAL: THIS DRAWING AND ITS INFORMATION ARE THE EXCLUSIVE AND CONFIDENTIAL PROPERTY OF A.O. SMITH CORP. AND ARE NOT TO BE DISCLOSED, DUPLICATED, DISTRIBUTED OR OTHERWISE USED WITHOUT THE WRITTEN CONSENT OF A.O. SMITH CORP. - ALL RIGHTS RESERVED

MATERIAL	DRAWN J. WILLIAMS 03/07/91			A DIVISION OF A.O. SMITH CORPORATION 	
PROCESS	APPROVED M. FRENCH 11/10/92	DESCRIPTION OUTLINE MOTOR			
REFERENCE		APPLICATION 7FD1056	SIZE B	PART NUMBER 11760-006	
		USER/FILE PSCS/MOTOUT	SCALE NONE	NOTICE 20269	SHEET 1 of 1